

Product Description

LF-GMR080YS II is a flicker free LED driver with metal casing. Rated input voltage: 220-240Vac; maximum output power: 84W; output voltage: 33-42Vdc; output current: 1600-2000mA. It has features of soft-switching design, high efficiency and excellent flicker free effect, suitable for linear light, tri-proof light and etc.

Features

- Suitable for Class I light fixtures
- Flicker free
- High performance, high efficiency, low THD
- 5-year warranty (Please refer to the warranty condition.)

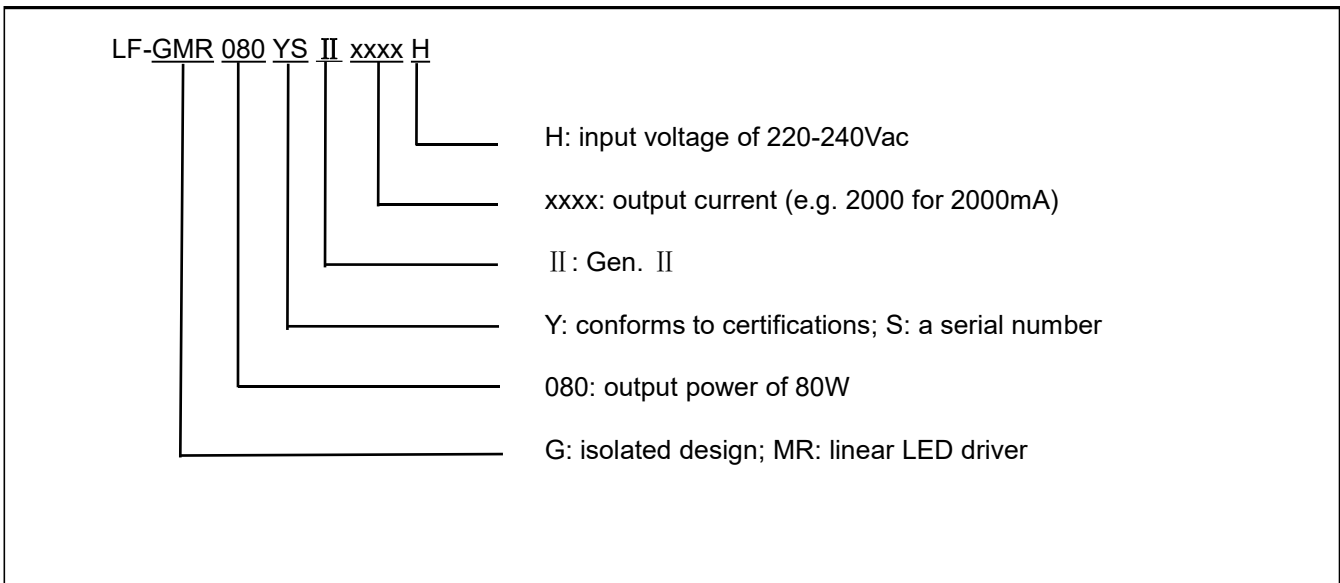


Applications

- Indoor office lighting
- Decorative lighting
- Commercial lighting
- Residential lighting



Product Naming



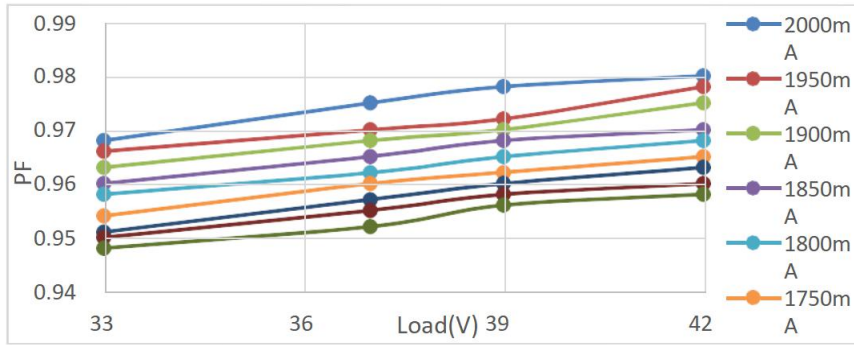
Electrical Characteristic

Model		LF-GMR080YS II xxxxH								
Output	Output Voltage	33-42V								
	Output Current	1600mA	1650mA	1700mA	1750mA	1800mA	1850mA	1900mA	1950mA	2000mA
	Flicker Index	IEC-Pst \leq 1; CIE SVM \leq 0.4; Modulation Depth $<$ 0.5%								
	Current Tolerance	\pm 5%								
	Temperature Drift	\pm 10%								
	Start-up Time	$<$ 0.5S @230Vac								
Input	Input Voltage	220-240Vac (limit: 200-264Vac)								
	DC Input Voltage	200-280Vdc								
	Input Frequency	47Hz-63Hz								
	Input Current	0.5A max.								
	Power Factor	\geq 0.95@230Vac								
	THD	\leq 20%								
	Efficiency	\geq 89%								
	In-rush Current	\leq 70A & 320uS @230Vac								
	Load Quantity Carried by the Circuit Breaker	Circuit Breaker Model	B10		C10		B16		C16	
		Quantity (pcs)	3		5		5		8	
	Leakage Current	\leq 0.7mA								
	Standby Power Consumption	\leq 0.5W								
Protection	Open Circuit Protection	$<$ 55V								
	Short Circuit Protection	Hiccup mode (auto-recovery)								
Environment Description	Operating Temperature	$-30^{\circ}\text{C}\sim+50^{\circ}\text{C}$								
	Operating Humidity	20-90%RH (no condensation)								
	Storage Temperature/ Humidity	$-50^{\circ}\text{C}\sim+85^{\circ}\text{C}$ (six months under class I environment); 10-95%RH (no condensation)								
	Atmospheric Pressure	86KPa \sim 106KPa								

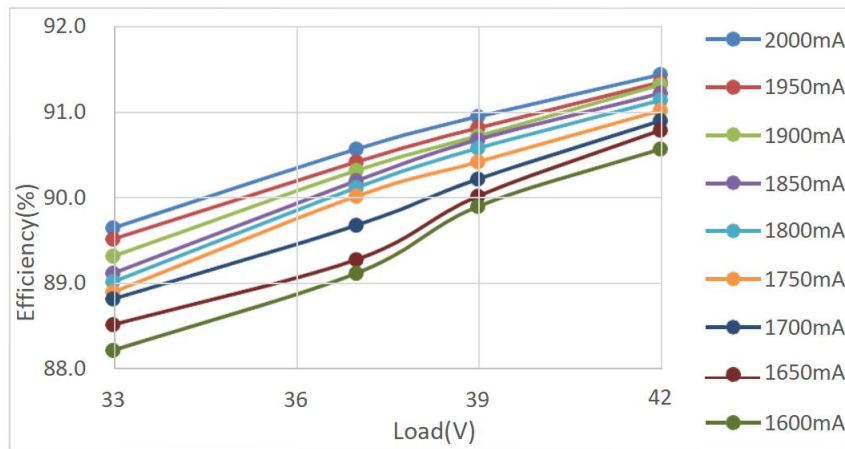
Safety and Electromagnetic Compatibility	Certification	TUV-ENEC, CB, CE, RCM, CCC, SAA
	Withstanding Voltage	I/P-O/P: 3.75kVac 5mA 60S; I/P-PG: 1.5kVac 5mA 60S
	Insulation Resistance	I/P-O/P: >100MΩ@500VDC
	Safety Standard	ENEC: EN61347-1:2015, EN 61347-2-13:2014/A1:2017, EN 62384: 2016/A1:2009 CE-LVD: EN 61347-2-13:2014/A1:2017, EN 61347-1:2015, EN 62493:2015 CB: IEC 61347-1:2015, IEC61347-2-3:2014, IEC 61347-2-13:2014/AMD1:2016 CCC:GB19510.1-2009, GB19510.14-2009
	EMI	CE-EMC/RCM: EN55015, EN61000-3-2, EN61000-3-3 CCC: GB/T17743, GB17625.1, GB17625.2
	EMS	CE-EMC/RCM: EN61000-4-2,3,4,5,6,11 (L-N: 1kV/L-N-PG:2kV) CCC: GB/T17626.2,3,4,5,6,11 (L-N:1kV L/N-PG:2kV)
Others	IP Rating	/
	RoHS	RoHS 2.0 (EU) 2015/863
	Warranty	5 yrs (Tc≤83℃)
Test Equipment	AC power source: CHROMA6530, digital power meter: CHROMA66202, Oscilloscope: Tektronix DPO3014, DC electronic load: M9712B, LED board, constant temperature and humidity chamber, lightning surge generator: Everfine EMS61000-5B, rapid group pulse generator: Everfine EMS61000-4A, spectroanalyzer: KH3935, hi-pot tester: TH9201B, flicker-free tester (flicker-free coefficient tester) 60N-01, etc.	
Remarks	<ol style="list-style-type: none"> 1. It is recommended that customer should install overvoltage and undervoltage protection devices and surge protection devices in the power supply circuits of the light fixtures to ensure safety before connecting to electricity. 2. As an accessory, the LED driver is not the only factor determining the EMC performance of the LED light fixture. The structure and the wiring of the light fixture are also relevant. Thus it's strongly recommended the LED light fixture manufacturer re-confirms the EMC of the whole LED light fixture. 3. The test conditions of the circuit breaker configuration quantity are the same as those of the inrush current test. 4. Unless otherwise stated, the parameters of the power factor, harmonic and efficiency were test results under the ambient temperature of 25℃, humidity of 50%, input voltage of 230Vac(50Hz) and full load. 	

Characteristic Curve

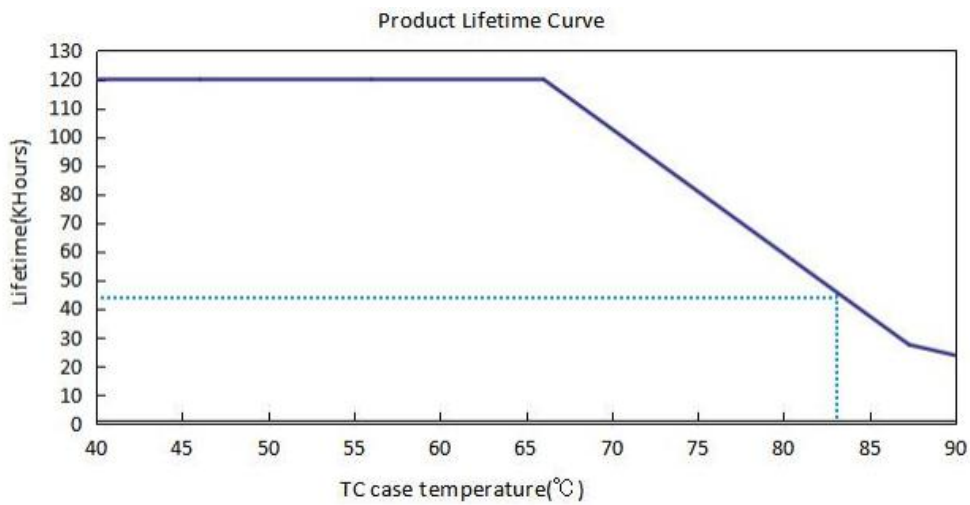
■ **PF Curve**



■ **Efficiency Curve**



■ **Lifetime Curve**



Definition of the Driver's Terminals

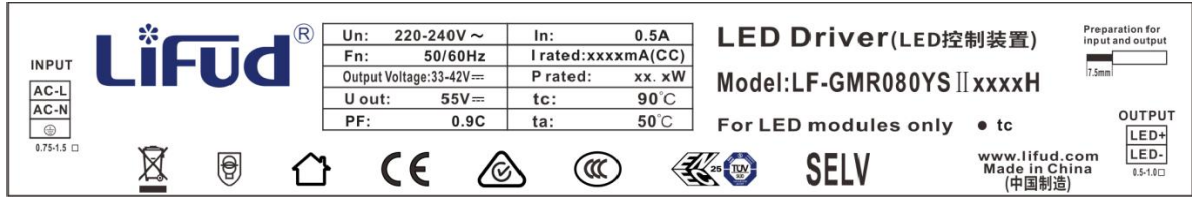
INPUT

AC-L	Input terminal of AC live wire
AC-N	Input terminal of AC neutral wire
	Grounding

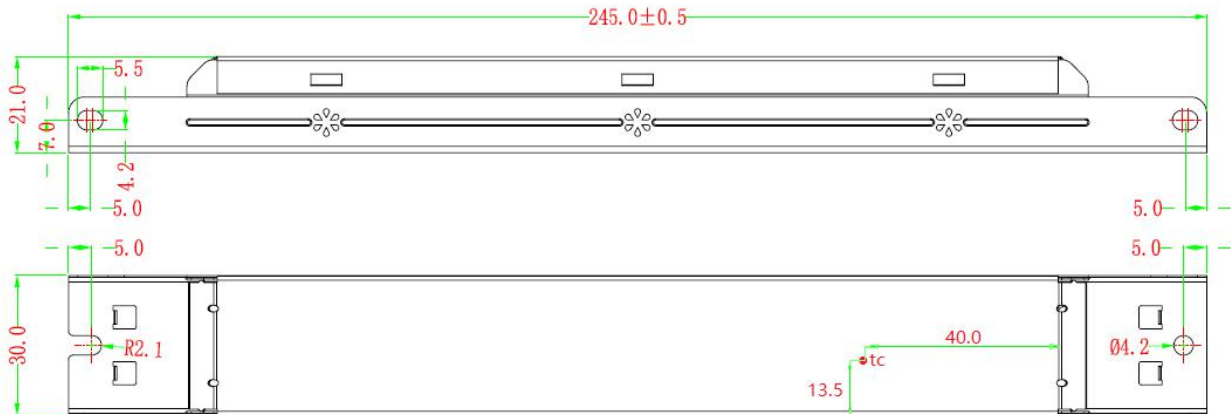
OUTPUT

LED+	The driver's positive electrode output
LED-	The driver's negative electrode output

Label



Structure&Dimensions (unit: mm)



Packaging Specifications

Model	LF-GMR080YS II xxxH
Packaging Dimensions	385*285*210 mm (L*W*H)
Quantities	8 pcs/layer; 6 layers/ctn; 48 pcs/ctn
Weights	200g/pc; 10.4kg/ctn

Transportation & Storage

1. Transportation

Transportation means: vehicles, boats and aircraft.

During transportation, there should be awnings for rain protection and sun protection. Civilized loading and unloading are required. There should be no severe vibration or impact.

2. Storage

Storage in accordance with the provisions of the Class I environment. For products which have been stored for more than six months, they mustn't be used until they pass the re-inspection.

Attention

- * Use this product according to the specifications, please. Otherwise there may be malfunction.
- * Use the light fixtures that have not been certified or are not compatible with the LED drivers may cause fire or other hazards.
- * Man-made damage, any use beyond the specification and non-original-factory modification are not covered by warranty.

Remark: The final interpretation right of the contents of this data sheet belongs to Lifud Technology Co., Ltd.

