

Product Description

LF-GMR020YSII is an LED driver with metal casing. The rated input voltage range is 220-240Vac. The maximum output power is 23.1W. The output voltage range is 33-42Vdc. The output current range is 200-550mA. It has features of two-stage design, high efficiency and excellent flicker free effect and is suitable for linear light, tri-proof light, etc.

Features

- Suitable for Class I light fixtures
- Flicker free
- High performance, high efficiency, low THD
- 5-year warranty (Please refer to the warranty condition.)

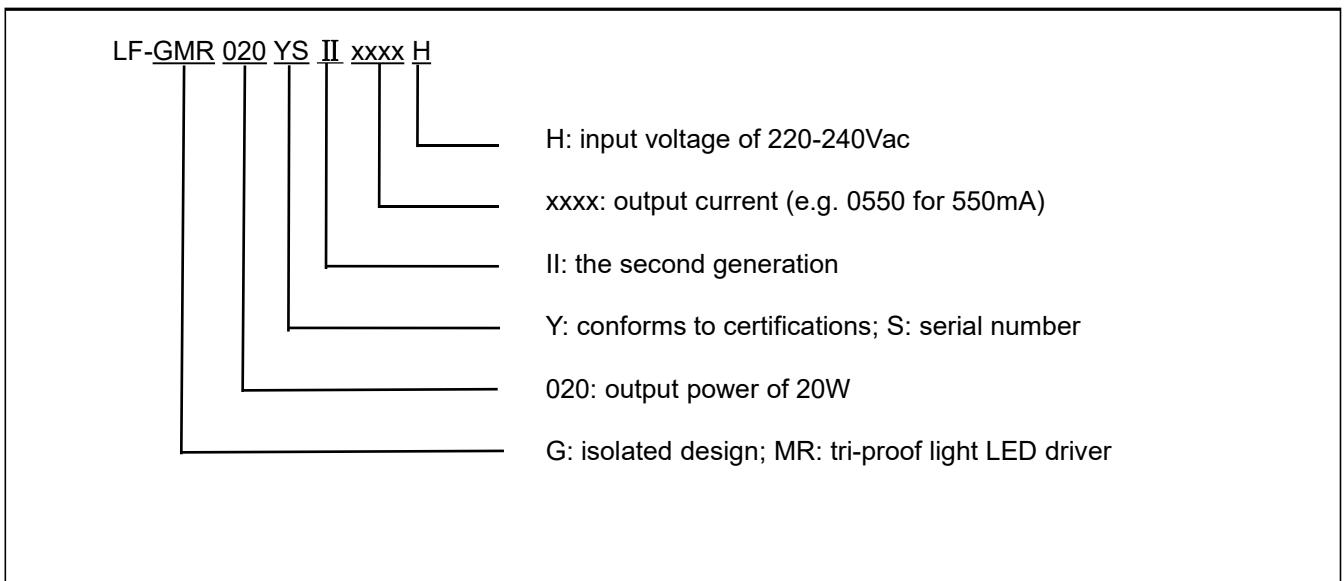


Applications

- Indoor office lighting
- Decorative lighting
- Commercial lighting
- Residential lighting



Product Naming



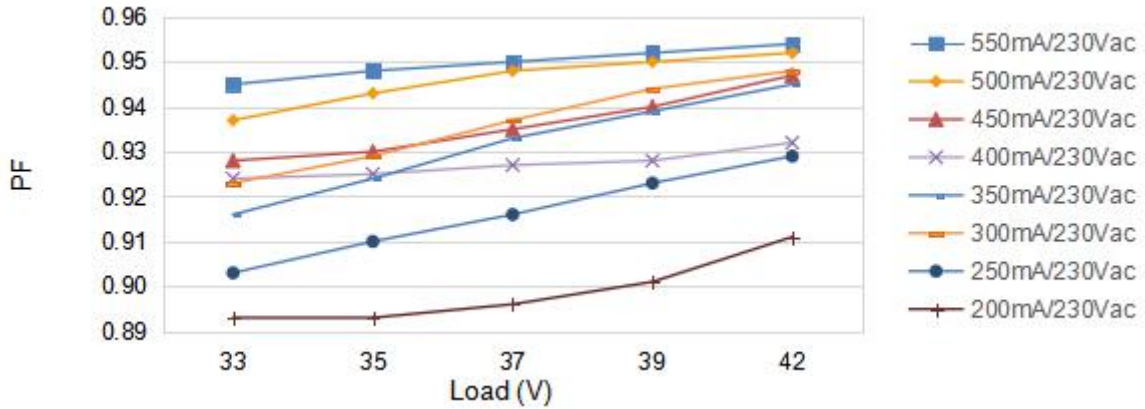
Electrical Characteristics

Model		LF-GMR020YSII								
Output	Output Voltage	33-42V								
	Output Current	200mA	250mA	300mA	350mA	400mA	450mA	500mA	550mA	
	Flicker Index (Modulation Depth)	Conforms to the IEEE1789 standard								
	CIE SVM	≤0.4								
	IEC-Pst	≤1								
	Current Tolerance	±6%	±5%							
	Temperature Drift	±10%								
	Start-up Time	<0.5S @230Vac								
Input	AC Input Voltage	220-240Vac (limit: 198-264Vac)								
	DC Input Voltage	200-264Vdc								
	Input Frequency	47Hz-63Hz								
	Input Current	0.14A Max								
	Power Factor	>0.9@230Vac								
	THD	≤20%								
	Efficiency	≥81%	≥83%	≥85%	≥85%	≥85%	≥86%	≥86%	≥86%	
	In-rush Current	≤11A & 130uS @230Vac (Max)								
	Load Quantity Carried by the Circuit Breaker	Circuit Breaker Model	B10		C10		B16		C16	
		Quantity (pcs)	54		90		87		145	
	Leakage Current	≤0.7mA								
	Standby Power Consumption	≤0.5W								
Protection	Open Circuit Protection	<55V								
	Short Circuit Protection	Hiccup mode (auto-recovery)								
Environment Description	Operating Temperature	-30℃~+50℃								
	Operating Humidity	20-90%RH (no condensation)								
	Storage Temperature/ Humidity	-30℃~+ 80℃ (six months under class I environment); 10-90%RH (no condensation)								
	Atmospheric Pressure	86KPa~106KPa								

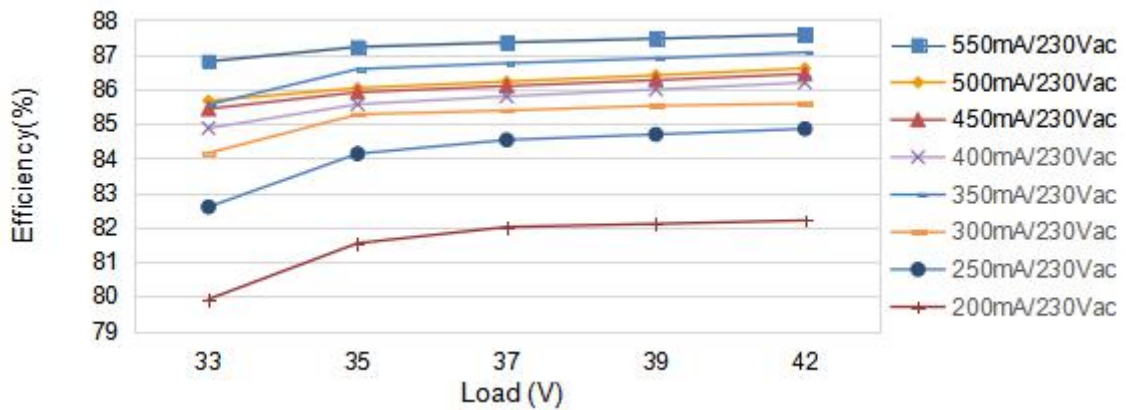
Safety and Electromagnetic Compatibility	Certification	ENEC, CB, CE, RCM, CCC, SAA
	Withstanding Voltage	I/P-O/P: 3.75KVac <5mA 60S; I/P-FG: 1.5KVac <5mA 60S; O/P-FG: 0.5KVac <5mA 60S
	Insulation Resistance	I/P-O/P, I/P-FG, O/P-FG >100MΩ@500VDC
	Safety Standard	EN61347-1:2015, EN61347-2-13: 2014/A1: 2017, EN62384: 2016/A1: 2009, EN61347-2-13: 2014/A1: 2017, EN61347-1: 2015, EN62493: 2015 IEC 61347-1: 2015, IEC61347-2-3: 2014, IEC61347-2-13: 2014/AMD1: 2016 AS61347.2-13: 2018 GB19510.1-2009, GB19510.14-2009
	EMI	CE-EMC/RCM: EN55015, EN61000-3-2, EN61000-3-3 CCC: GB/T17743, GB17625.1, GB17625.2
	EMS	CE-EMC/RCM: EN61000-4-2, 3, 4, 5 (L-N:1KV L/N-PG:2KV), 6, 11 CCC: GB/T17626.2, 3, 4, 5 (L-N: 1KV L/N-PG: 2KV), 6, 11
Others	IP Rating	IP20
	RoHS	RoHS 2.0 (EU) 2015/863
	Warranty	5 yrs (Tc≤69℃)
Test Equipment	AC power source: CHROMA6530, digital power meter: CHROMA66202, Oscilloscope: Tektronix DPO3014, DC electronic load: M9712B, LED board, constant temperature and humidity chamber, lightning surge generator: Everfine EMS61000-5B, rapid group pulse generator: Everfine EMS61000-4A, spectroanalyzer: KH3935, hi-pot tester: TH9201B, flicker-free tester (flicker-free coefficient tester) 60N-01, etc.	
Remarks	<ol style="list-style-type: none"> 1. It is recommended that customer should install overvoltage and undervoltage protection devices and surge protection devices in the power supply circuits of the light fixtures to ensure safety before connecting to electricity. 2. As an accessory, the LED driver is not the only factor determining the EMC performance of the LED light fixture. The structure and the wiring of the light fixture are also relevant. Thus it's strongly recommended the LED light fixture manufacturer re-confirms the EMC of the whole LED light fixture. 3. The test conditions of the circuit breaker configuration quantity are the same as those of the inrush current test. 4. Unless otherwise stated, the parameters of the power factor, harmonic and efficiency were test results under the ambient temperature of 25℃, humidity of 50%, input voltage of 230Vac(50Hz) and full load. 	

Characteristic Curves

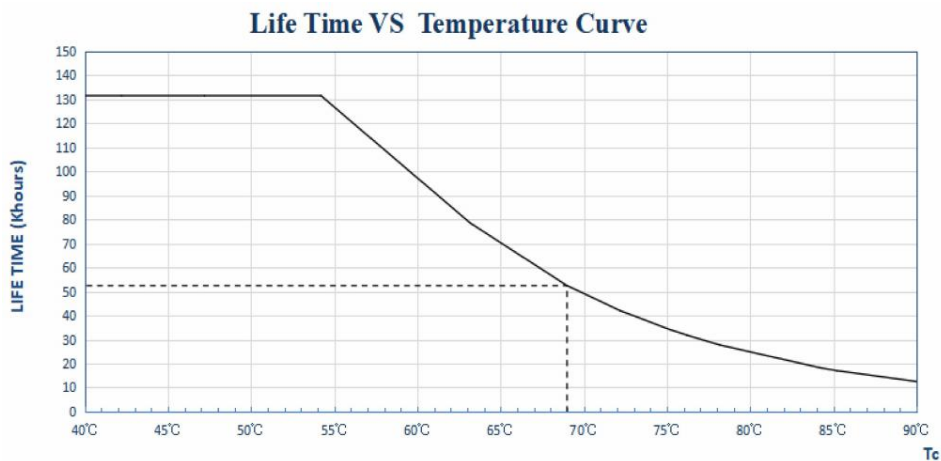
■ PF Curve



■ Efficiency Curve



■ Lifetime Curve



Definition of the Driver's Terminals

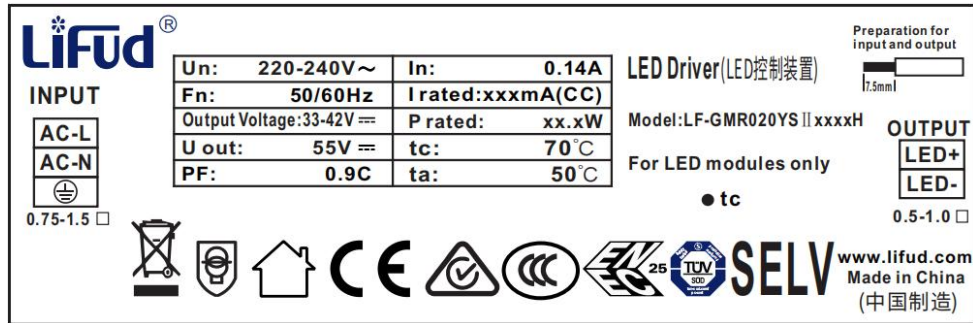
INPUT

AC-L	Input terminal of AC live wire
AC-N	Input terminal of AC neutral wire
	Grounding wire

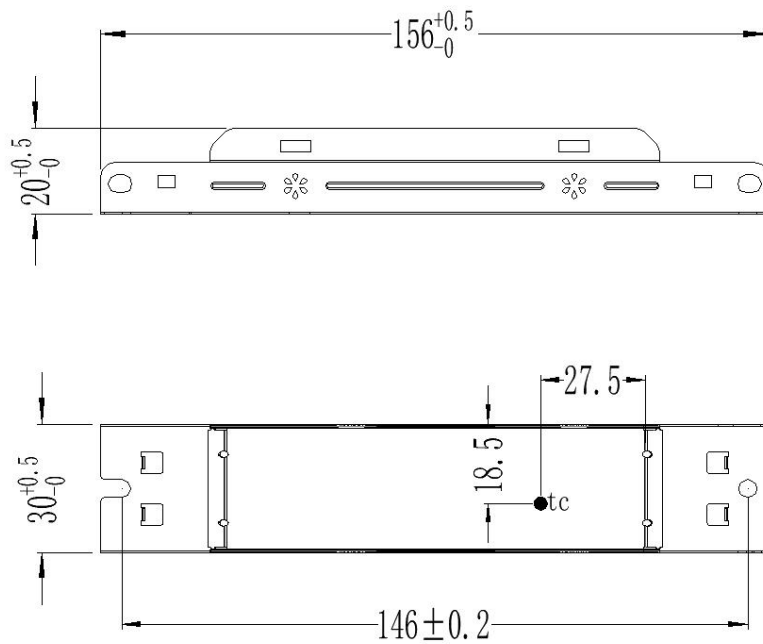
OUTPUT

LED+	The driver's positive electrode output
LED-	The driver's negative electrode output

Label



Structure & Dimensions (unit: mm)



Packaging Specifications

Model	LF-GMR020YSII
Packaging Dimensions	385*285*210 mm (L*W*H)
Quantities	12 pcs/layer; 6 layers/ctn; 72 pcs/ctn
Weights	0.092kg±5%/pc; 7.33kg±5%/ctn

Transportation & Storage

■ Transportation

- Suitable transportation means: vehicles, boats and aircraft.
- During transportation, there should be awnings for rain protection and sun protection. Civilized loading and unloading are required. There should be no severe vibration or impact.

■ Storage

- Storage in accordance with the provisions of Class I environment. For products which have been stored for more than six months, they mustn't be used until they pass the re-inspection.

Attention

- Please use this product according to its specifications otherwise there may be malfunction.
- Use light fixtures that have not been certified or are not compatible with the LED drivers may cause fire or other hazards.
- Man-made damage, any use beyond the specification and non-original-factory modification are not covered by warranty.

Remark: The final interpretation right of the contents of this data sheet belongs to Lifud Technology Co., Ltd.