

### Features

- Flicker free
- High performance
- IP20
- 5-year warranty (please refer to the warranty condition)



### Applications

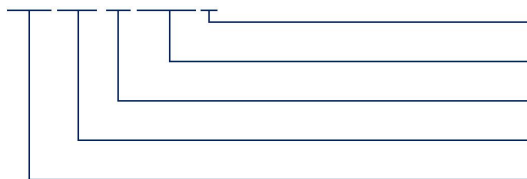
· Commercial lighting · indoor office lighting · decorative lighting · residential lighting

### Descriptions

LF-GIF040YSxxxxH is a 40W (max.) isolated flicker-free LED driver. Its rated input voltage ranges from 220 to 240Vac and output voltage ranges from 33 to 40Vdc. Its output current ranges from 800-1050mA. It is suitable for Class II light fixtures, including panel light, down light, spot light, etc.

### Product Model

LF - GIF 040 YS xxxx H



- H: input voltage: 220-240Vac
- xxxx: output current (e.g. 1050: 1050mA)
- Y: complies with certifications; S: serial number
- 040: maximum output power: 40W
- G: isolated design; IF: indoor flicker-free LED driver

### ■ Electrical Characteristics

Model		LF-GIF040YSxxxxH					
<b>Output</b>	Output Voltage	33-40V					
	Output Current	800mA	850mA	900mA	950mA	1000mA	1050mA
	Flicker	Complies with IEEE 1789-2015 standard.					
	CIE SVM	≤0.4					
	IEC-Pst	≤1.0					
	Current Tolerance	±5%					
	Temperature Drift	±10%					
	Startup Time	<0.5S					
<b>Input</b>	Input Voltage	220-240Vac (voltage limit: 198-264Vac)					
	Input Frequency	50/60Hz					
	Input Current	0.28A max.					
	PF	≥0.95					
	THD	≤20%					
	Efficiency	≥87%	≥87.5%			≥88%	
	Inrush Current	≤27A&154uS					
	Loading Quantities of Circuit Breaker	Model	B10	C10	B16	C16	
		Quantity (pcs)	20	34	33	56	
	Leakage Current	≤0.7mA					
Standby Power Consumption	≤0.5W						
<b>Protections</b>	Open Circuit	<55V					
	Short Circuit	Hiccup mode (auto-recovery)					
<b>Environment Descriptions</b>	Operating Temperature	-30°C - +45°C					
	Operating Humidity	20-90%RH (no condensation)					
	Storage Temperature/ Humidity	-30°C - 80°C (6 months in Class I environment); 10-90%RH (no condensation)					
	Atmospheric Pressure	86-106kPa					

### ■ Electrical Characteristics

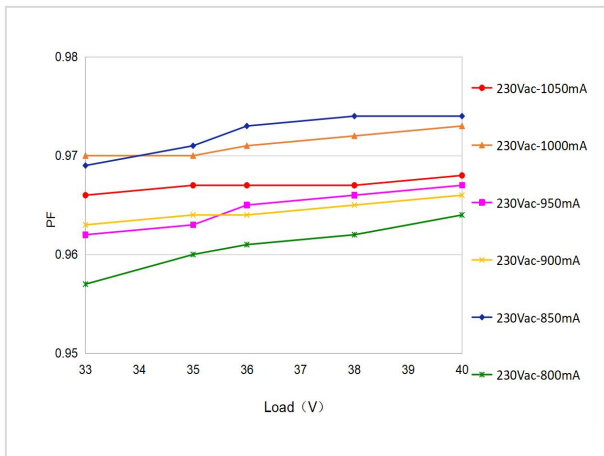
<b>Safety &amp; EMC</b>	Certifications	ENEC, CE, CB, RCM, CCC, UKCA, SAA
	Withstanding Voltage	I/P-O/P: 3.75kV&5mA&60S
	Insulation Resistance	I/P-O/P: >100MΩ@500Vdc
	Safety Standards	ENEC: EN61347-1:2015, EN 61347-2-13:2014/A1:2017, EN 62384 2016/A1:2009 CE-LVD: EN 61347-2-13:2014/A1:2017, EN 61347-1:2015, EN 62493:2015 CB:IEC 61347-1:2015, IEC61347-2-3:2014, IEC 61347-2-13:2014/AMD1:2016 UKCA-LVD: EN 61347-1:2015/A1:2021, EN 61347-2-13:2014/A1:2017, EN 62493:2015 CCC:GB19510.1-2009, GB19510.14-2009FCC: PART 15B SAA:AS 61347.2-13:2018
	EMI	CE-EMC/RCM:EN55015, EN61000-3-2, EN61000-3-3 UKCA-EMC: EN IEC 55015:2019/A11:2020, EN 61547:2009, EN IEC 61000-3-2:2019/A1:2021, EN 61000-3-3:2013/A2:2021 CCC:GB/T17743, GB17625.1, GB17625.2
	EMS	CE-EMC/RCM: EN61000-4-2, 3, 4, 5 (lightning strike 1kV), 6, 11 CCC: GB/T17626.2, 3, 4, 5 (lightning strike 1kV), 6, 11
<b>Other Parameters</b>	IP Rating	IP20
	RoHS	RoHS 2.0 (EU) 2015/863
	Warranty	5 years (Tc ≤89°C)
<b>Testing Equipment</b>	AC power source: CHROMA6530, digital power meter: CHROMA66202, oscilloscope: Tektronix DPO3014, DC electronic load: M9712B, LED board, constant temperature and humidity chamber, lightning surge generator: Everfine EMS61000-5B, rapid group pulse generator: Everfine EMS61000-4A, spectroanalyzer: KH3935, hi-pot tester: EEC SE7440, flicker tester (flicker-free coefficient test) Everfine LFA-3000, etc.	
<b>Test Remark</b>	If there are no special remarks, the above parameters are tested at the ambient temperature of 25°C, humidity of 50%, full load and input voltage of 230Vac/50Hz.	

**Electrical Characteristics**

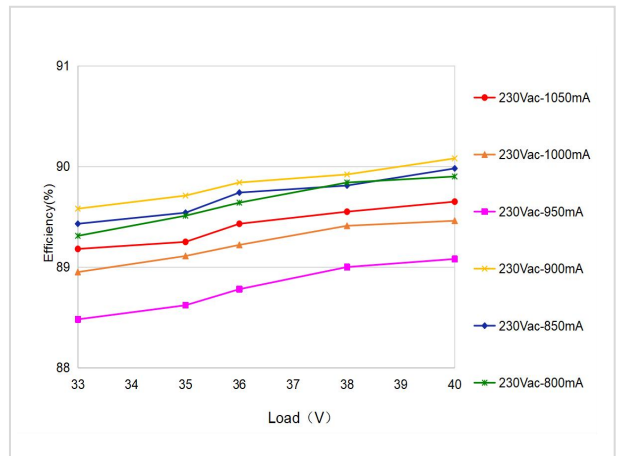
<b>Remarks</b>	<ol style="list-style-type: none"> <li>1. It is recommended that user install over voltage protection, under voltage protection and surge protection devices in the power supply circuits of light fixtures to ensure electricity safety.</li> <li>2. The LED driver used in combination with the end device is one of the accessories of the whole light fixture, and the EMC of the whole light fixture is not only susceptible to the driver itself, but to the LED light fixture and the whole light fixture's wiring. Thus, the manufacturer of LED light fixture should re-confirm the EMC of the whole light fixture before the whole light fixture is finished.</li> <li>3. The test conditions of the circuit breaker configuration quantity are the same as those of the inrush current.</li> <li>4. The PC cover, casing and end cap for assembling the LED driver in the light fixture must meet the fire rating of UL94-V0 or above.</li> </ol>
----------------	--

**Product Characteristic Curves**

PF Curve



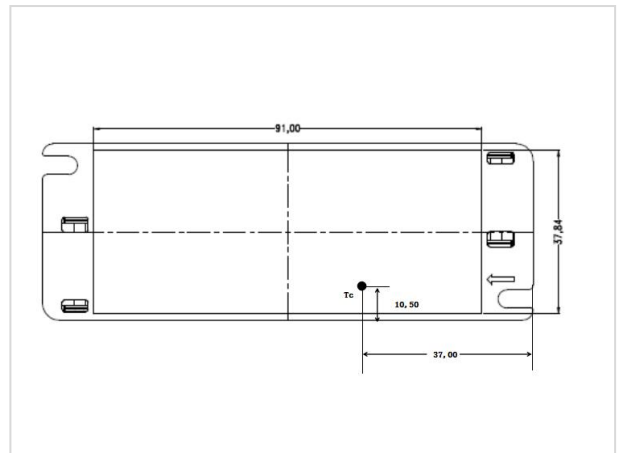
Efficiency Curve



Lifetime Curve



Tc Point Testing Diagram



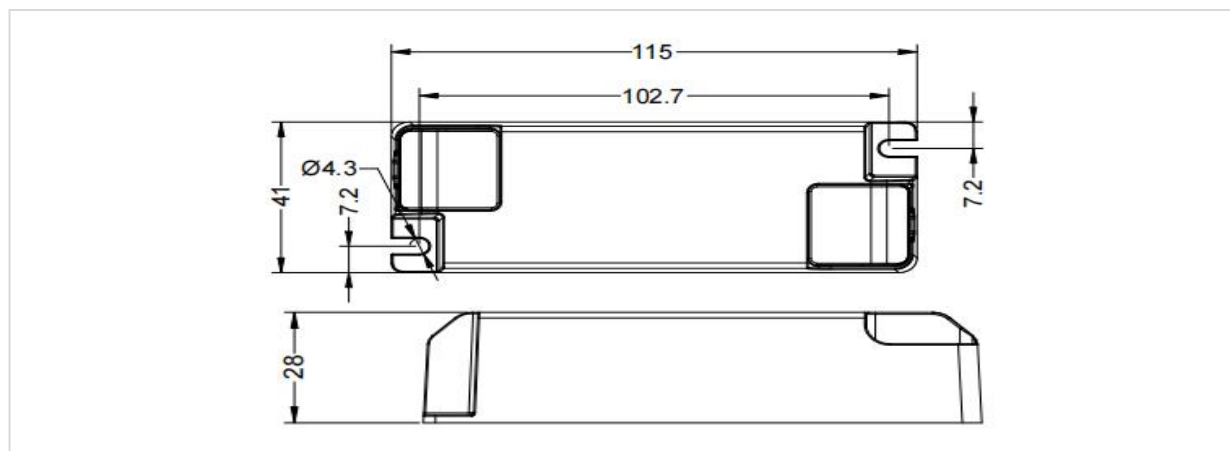
■ **Product Definitions**

Product Terminal

INPUT		OUTPUT	
AC-L	Input terminal of AC live wire	LED+	Positive electrode output of LED driver
AC-N	Input terminal of AC neutral wire	LED-	Negative electrode output of LED driver

■ **Structure & Dimensions (unit: mm)**

Overall Appearance Dimension (L*W*H)	Center-to-center Spacing of Positioning Hole	Diameter of Positioning Hole
115*41*28 mm ( $\pm 0.5\text{mm}$ )	102.7 mm ( $\pm 0.2\text{mm}$ )	4.3 mm



■ **Packaging Specifications**

Model	LF-GIF040YSxxxxH
Carton Size	385*285*210mm (L*W*H)
Quantity	18 pcs/layer; 6 layers/ctn; 108 pcs/ctn
Weight	0.099 $\pm$ 5% kg/pc; 11.0 $\pm$ 5% kg/ctn

## ■ Transportation and Storage

### 1. Transportation

- Suitable transportation means: vehicles, boats and aeroplanes.
- In transit, it is necessary to prepare awnings for rain or sun protection. Moreover, please keep civilized loading and unloading to prevent the vibration or impact of LED driver as much as possible.

### 2. Storage

- The storage of LED driver shall conform to the standard of Class I environment. When using LED drivers which have been stored for more than 6 months, please re-test them firstly. Do not use them unless they are tested to be qualified.

## Cautions

- Please use Lifud LED driver according to its parameters in the specification, otherwise the LED driver may malfunction.
- Using any incompatible light fixtures or those that have not been certified may cause fire, explosion or other risks.
- Man-made damage is beyond the scope of Lifud warranty service.

Remark: Lifud Tecnology Co., Ltd. reserves the right to interpret any contents of this specification.