

Features

- Ta: 70°C
- Compact Size
- High efficiency up to 90%
- Terminals for convenient wiring
- Flicker free



Applications

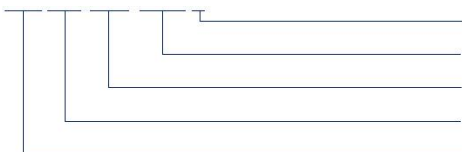
· Commercial lighting · office lighting · decorative lighting · residential lighting

Descriptions

LF-GIC030YSIIxxxxH is an isolated constant current LED driver with the maximum output power of 30W. Its rated input voltage ranges from 220 to 240Vac and its output voltage ranges from 33 to 40Vdc. It is suitable for Class I and II light fixtures such as down light, ceiling light and so on.

Product Model

LF- GIC 030 YSII xxxx H



- H: input voltage: 220-240Vac
- xxxx: output current (e.g. 0750: 750mA)
- Y: conforms to certifications; S: serial number; II: the 2nd gen.
- 030: output power: 30W
- G: isolated design; IC: indoor circular casing LED driver series

Lifud Technology Co., Ltd.

Production Base I (HQ): Building B, Kutto Industrial Park, No.26, Xinhe Road, Bao'an District, Shenzhen City, China.
 Production Base II: No.4, Block 2, Tengfei Road, Shigao Economic Development Area, Meishan City, Sichuan, China.
 Website: www.lifud.com Telephone: +86(0)755 8373 9299 Email: sales@lifud.com

■ Electrical Characteristics

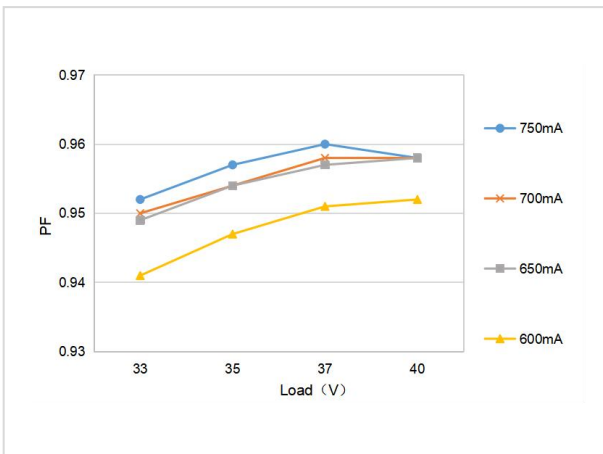
Model		LF-GIC030YSIIxxxxH				
Output	Output Voltage	33-40V				
	Output Current	600mA	650mA	700mA	750mA	
	Flicker (Modulation Depth)	Conforms to IEEE 1789 standard.				
	CIE SVM	≤0.4				
	IEC-Pst	≤1.0				
	Current Tolerance	±5%				
	Temperature Drift	±10%				
	Startup Time	<0.5S				
Input	Input Voltage	220-240Vac (voltage limit: 200-264Vac)				
	Input Frequency	47Hz-63Hz				
	Input Current	0.2A max.				
	PF	≥0.9				
	THD	≤20%				
	Efficiency	≥89%	≥89%	≥90%	≥90%	
	Inrush Current	≤25A&180uS				
	Loading Quantities of Circuit Breaker	Model	B10	C10	B16	C16
		Quantity (pcs)	39	39	62	62
	Leakage Current	≤0.7mA				
Standby Power Consumption	≤0.5W					
Protections	Open Circuit	<55V				
	Short Circuit	Hiccup mode (auto-recovery)				
Environment Descriptions	Operating Temperature	-30°C~+70°C				
	Operating Humidity	0-95%RH (without condensation)				
	Storage Temperature/ Humidity	-30°C - 80°C (6 months in Class I environment); 0-95%RH (without condensation)				
	Atmospheric Pressure	86-106kPa				
Safety and EMC	Certifications	ENEC, CE, CB, RCM, CCC				
	Withstanding Voltage	I/P-O/P: 3.75kV&5mA&60S				
	Insulation Resistance	I/P-O/P: >100MΩ@500Vdc				
	Safety Standards	ENEC: EN61347-1:2015, EN61347-2-13: 2014/A1: 2017, EN62384 2016/A1: 2009 CE-LVD: EN61347-2-13: 2014/A1: 2017, EN61347-1: 2015, EN62493: 2015 CB: IEC61347-1: 2015, IEC61347-2-3: 2014, IEC 61347-2-13: 2014/AMD1: 2016 CCC: GB19510.1-2009, GB19510.14-2009 RCM: AS61347.2-13: 2018				
	EMI	CE-EMC/RCM: EN55015, EN61000-3-2, EN61000-3-3 CCC: GB/T17743, GB17625.1, GB17625.2				
	EMS	CE-EMC/RCM: EN61000-4-2, 3, 4, 5 (lightning strike 1kV), 6, 11 CCC: GB/T17626.2, 3, 4, 5 (lightning strike 1kV), 6, 11				

Electrical Characteristics

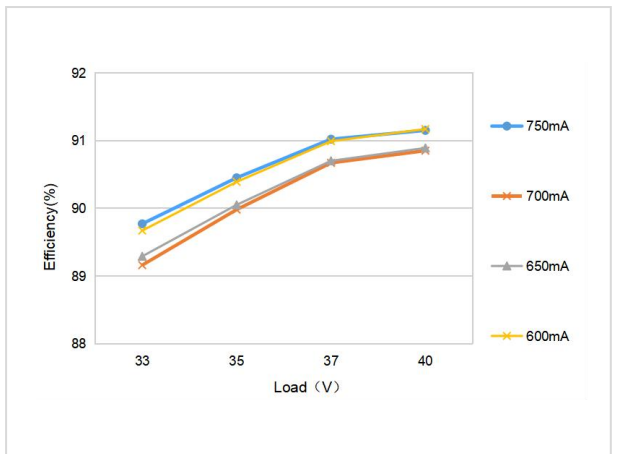
Other Parameters	IP Rating	IP40
	RoHS	RoHS 2.0 (EU) 2015/863
	Warranty	5 years (Tc≤95°C)
Testing Equipment	AC power source: CHROMA6530, digital power meter: CHROMA66205, oscilloscope: Tektronix DPO3014, DC electronic load: M9712B, LED board, constant temperature and humidity chamber, lightning surge generator: Everfine EMS61000-5B, rapid group pulse generator: Everfine EMS61000-4A, spectroanalyzer: KH3935, withstanding voltage tester: EEC SE7440, flicker tester (flicker-free coefficient test) Everfine LFA-3000, etc.	
Remarks	<ol style="list-style-type: none"> 1. It is recommended that user install over voltage protection, under voltage protection and surge protection devices in the power supply circuits of light fixtures to ensure electricity safety. 2. The LED driver used in combination with the end device is one of the accessories in the whole light fixture, and its EMC is not only susceptible to the driver itself, but to the LED light fixture and the whole light fixture’s wiring. Thus, the manufacturer of LED light fixture should re-confirm the EMC performance of LED driver before the whole light fixture is finished. 3. The test conditions of the circuit breaker configuration quantity are the same as those of the inrush current. 4. The PC shade, casing and plug for assembling the LED driver in the light fixture must meet the fire rating of UL94-V0 or above. 5. The above parameters are tested at the ambient temperature of 25°C, humidity of 50%, full load, input voltage of 230Vac/50Hz without any special remarks. 	

Product Characteristic Curves

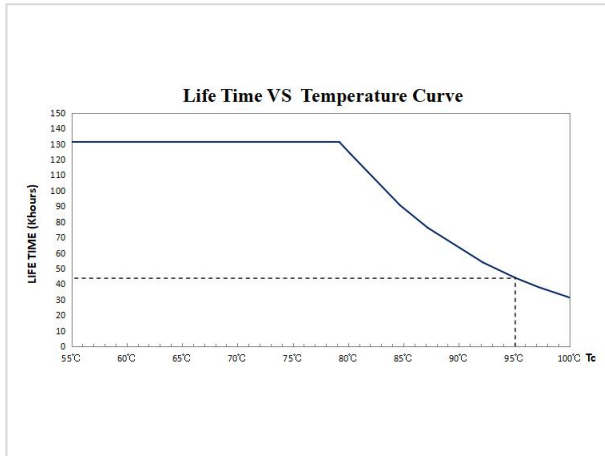
PF Curve



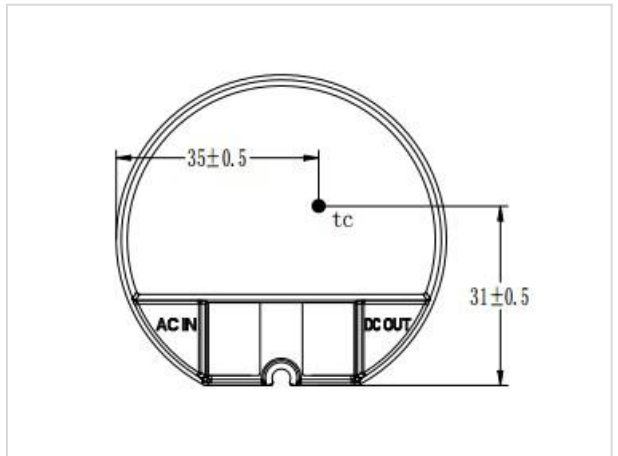
Efficiency Curve



Lifetime Curve



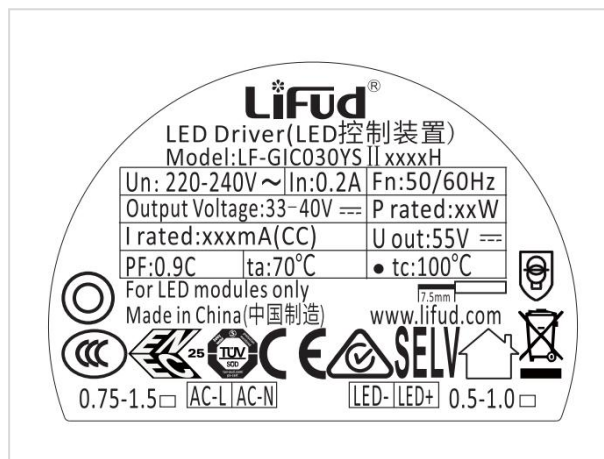
Tc Point Testing Diagram



■ Definitions of Product Terminals

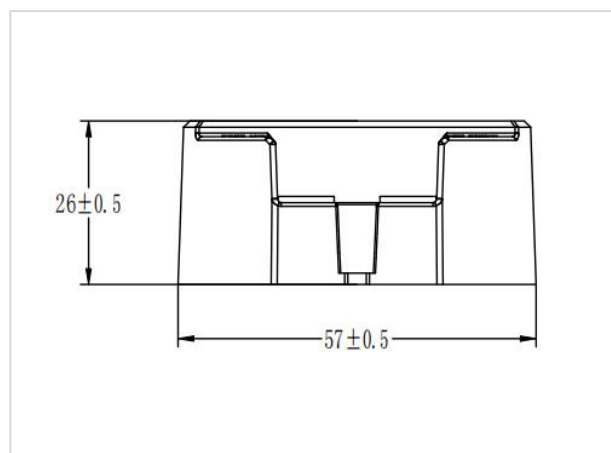
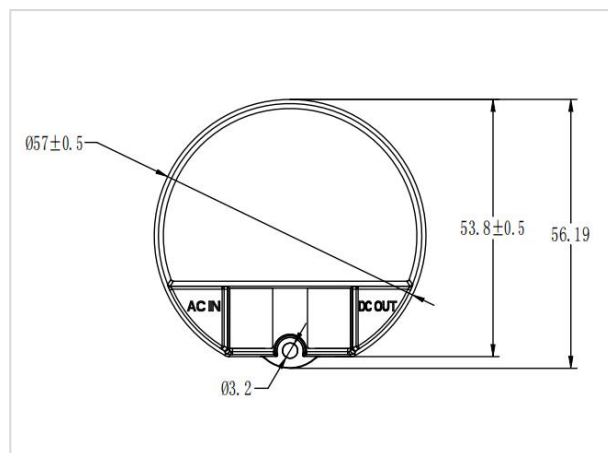
INPUT		OUTPUT	
AC-L	Input terminal of AC live wire	LED+	Positive electrode output of LED driver
AC-N	Input terminal of AC neutral wire	LED-	Negative electrode output of LED driver

■ Label



■ Structures and Dimensions

Overall Appearance Dimension (D*H)	Positioning Hole Dimension (D)
Φ 57*26 mm	Φ 3.2 mm



■ Packaging Specifications

Model	LF-GIC030YSIIxxxxH
Carton Size	385*285*210mm (L×W×H)
Quantity	20 pcs/layer; 7 layers/ctn; 140 pcs/ctn
Weight	0.1 kg/pc; 14.5 kg/ctn

■ Transportation and Storage

1. Transportation

- Suitable transportation means: vehicles, boats and aeroplanes.
- In transit, it is necessary to prepare awnings for rain or sun protection. Moreover, please keep civilized loading and unloading to prevent the vibration or impact of LED driver as much as possible.

2. Storage

- The storage of LED driver shall conform to the standard of Class I environment. When using LED drivers which have been stored for more than 6 months, please re-test them firstly. Do not use them unless they are tested to be qualified.

Cautions

- Please use Lifud LED driver according to its parameters in the specification, otherwise the LED driver may malfunction.
- Using any incompatible light fixtures or those that have not been certified may cause fire, explosion or other risks.
- Man-made damage is beyond the scope of Lifud warranty service.

Remark: Lifud Tecnology Co., Ltd. reserves the right to interpret any contents of this specification.